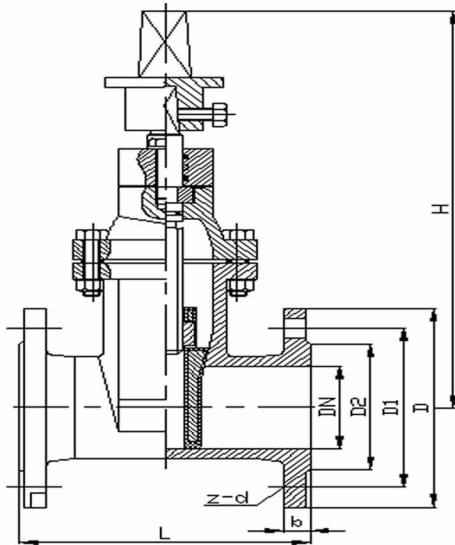


# KSB 2334 RESILIENT SEATED WEDGE GATE VALVE



## Materials of Parts

<b>Body</b>	Ductile Iron to BS2789 Gr. 500/7
<b>Bonnet</b>	Ductile Iron to BS2789 Gr. 500/7
<b>Disc</b>	Ductile Iron + EPDM
<b>Stem</b>	Stainless Steel to SS420
<b>Stem nut</b>	Brass
<b>Gasket</b>	EPDM
<b>Stem cap</b>	Ductile Iron to BS2789 Gr. 500/7
<b>Bolts &amp; Nuts</b>	SS304

## Dimension: 10K

									mm
Size	D	D1	D2	H	L	b	f	z-d	Weight kg
DN50	155	120	96	319	180	16	2	4-Ø19	13
DN65	175	140	116	325	190	18	2	4-Ø19	/
DN80	185	150	126	387	240	18	2	8-Ø19	20
DN100	210	175	151	431	250	18	2	8-Ø19	26
DN125	250	210	182	488	260	22	2	8-Ø23	/
DN150	280	240	212	523	280	22	2	8-Ø23	46
DN200	330	290	262	644	300	22	2	12-Ø23	71
DN250	400	355	324	713	380	24	2	12-Ø25	112
DN300	445	400	368	791	400	24	3	16-Ø25	140

Note: The illustrations in this catalogue are subject to modifications without notice.

**MINGPIN**  **METALS**

No.69 Wangjiang West Road,Hefei,China  
sales@mingpinmetals.com

T: +86-551-64211984 F: +86-551-64211974  
www.mingpinmetals.com