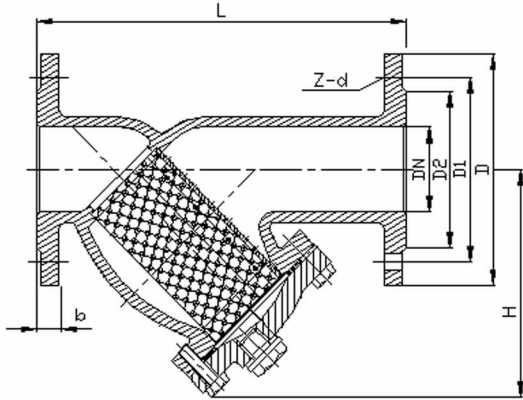


# DIN Y-STRAINER



## Materials of Parts

<b>Body</b>	Ductile Iron to GGG50
<b>Cover</b>	Ductile Iron to GGG50
<b>Screen</b>	Stainless Steel to SS304
<b>Plug</b>	Carbon Steel
<b>Gasket</b>	Graphite
<b>Bolts &amp; Nuts</b>	SS304 / Carbon Steel with Zinc

## Dimension: PN16

Dimension: PN16									mm
Size	D	D1	D2	H	L	b	f	z-d	Weight kg
DN15	95	65	46	93	130	14	2	4-Ø14	2.5
DN20	105	75	56	103	150	16	2	4-Ø14	4
DN25	115	85	65	114	160	16	3	4-Ø14	4.5
DN32	140	100	76	132	180	18	3	4-Ø19	7
DN40	150	110	84	152	200	18	3	4-Ø19	8
DN50	165	125	99	154	230	20	3	4-Ø19	11
DN65	185	145	118	173	290	20	3	4-Ø19	14
DN80	200	160	132	195	310	22	3	8-Ø19	19
DN100	220	180	156	225	350	24	3	8-Ø19	27
DN125	250	210	184	268	400	26	3	8-Ø19	40
DN150	285	240	211	328	480	26	3	8-Ø23	57
DN200	340	295	266	425	600	30	3	12-Ø23	103
DN250	405	355	319	497	730	32	3	12-Ø28	166
DN300	460	410	370	564	850	32	4	12-Ø28	190
DN350	520	470	429	636	980	36	4	16-Ø28	270
DN400	580	525	480	719	1100	38	4	16-Ø31	380
DN450	640	585	548	800	1200	40	4	20-Ø31	590

Note: The illustrations in this catalogue are subject to modifications without notice.