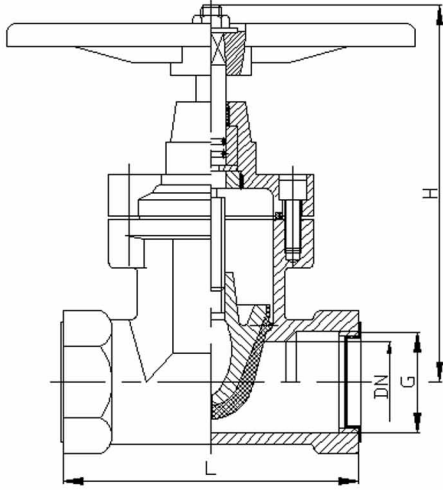


GATE VALVE STRAIGHT PATTERN



Materials of Parts

Body	Ductile Iron to BS2789 Gr. 500/7
Bonnet	Ductile Iron to BS2789 Gr. 500/7
Disc	Ductile Iron + EPDM
Stem	Stainless Steel to BS970 Gr. SS420
Seal ring	Brass to BS2874
Gasket	EPDM to BS2494
Handwheel	Ductile Iron to BS2789 Gr. 500/7
Bolts & Nuts	SS304 / Carbon Steel with Zinc

Dimension:

mm

Size	L	H	G	Weight kg
DN15	134	172	BSP 1/2"	2.8
DN20	134	172	BSP 3/4"	3
DN25	134	172	BSP 1"	3.2
DN32	137	182	BSP 1-1/4"	4
DN40	162	195	BSP 1-1/2"	4.5
DN50	169	209	BSP 2"	5

Note: The illustrations in this catalogue are subject to modifications without notice.

MINGPIN MPM METALS

No.69 Wangjiang West Road,Hefei,China
sales@mingpinmetals.com

T: +86-551-64211984 F: +86-551-64211974
www.mingpinmetals.com