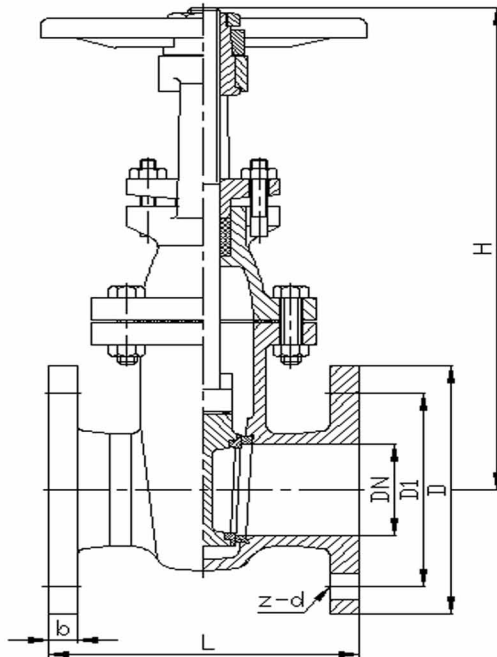


AWWA C500 METALLIC SEATED WEDGE GATE VALVE O.S.&Y



Materials of Parts	
Body	Ductile Iron to ASTM A536
Bonnet	Ductile Iron to ASTM A536
Disc	Ductile Iron to ASTM A536
Body seats	Brass to ASTM B16
Wedge seats	Brass to ASTM B16
Yoke	Ductile Iron to ASTM A536
Stem	Stainless Steel to SS420
Stem nut	Brass to ASTM B16
Gasket	EPDM to ASTM D2000
Handwheel	Ductile Iron to ASTM A536
Bolts & Nuts	Carbon Steel with Zinc

Dimension:							mm
Size	D	D1	H	L	b	z-d	Weight kg
DN40	127	98.5	310	165	15	4-Ø16	11
DN50	152	120.5	329	178	16	4-Ø19	13
DN65	178	139.5	372	190	17.5	4-Ø19	16
DN80	191	152.5	426	203	19	4-Ø19	22
DN100	229	190.5	496	229	24	8-Ø19	35
DN125	254	216	576	254	24	8-Ø22	43
DN150	279	241.5	630	267	25.5	8-Ø22	54
DN200	343	298.5	739	292	29	8-Ø22	89
DN250	406	362	877	330	30	12-Ø25	137
DN300	483	432	1011	356	32	12-Ø25	190
DN350	533	476	1152	381	35	12-Ø29	259
DN400	597	539.5	1284	406	37	16-Ø29	314
DN450	635	577.9	1470	432	39.7	16-Ø32	405
DN500	699	635	1590	457	43	20-Ø32	480
DN600	813	749.5	1700	508	48	20-Ø35	750

Note: The illustrations in this catalogue are subject to modifications without notice.