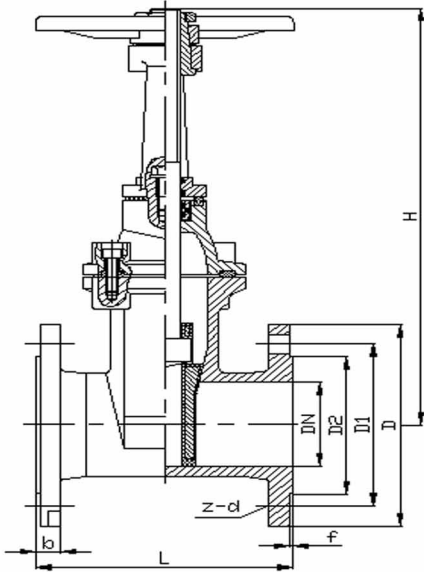


# DIN3352-F4 / EN1171 RESILIENT SEATED WEDGE GATE VALVE O.S.&Y



## Materials of Parts

<b>Body</b>	Ductile Iron to GGG50
<b>Bonnet</b>	Ductile Iron to GGG50
<b>Yoke</b>	Ductile Iron to GGG50
<b>Disc</b>	Ductile Iron + EPDM
<b>Stem</b>	Stainless Steel to SS420
<b>Stem nut</b>	Brass
<b>Gasket</b>	EPDM
<b>Handwheel</b>	Ductile Iron to GGG50
<b>Bolts &amp; Nuts</b>	SS304 / Carbon Steel with Zinc

## Dimension: PN16

Size	D	D1	D2	H	L	b	f	z-d	Weight kg
DN40	150	110	84	280	140	19	3	4-Ø19	8
DN50	165	125	99	290	150	19	3	4-Ø19	10
DN65	185	145	118	340	170	19	3	4-Ø19	13
DN80	200	160	132	385	180	19	3	8-Ø19	15
DN100	220	180	156	455	190	19	3	8-Ø19	18
DN125	250	210	184	525	200	19	3	8-Ø19	29
DN150	285	240	211	565	210	19	3	8-Ø23	36
DN200	340	295	266	760	230	20	3	12-Ø23	56
DN250	405	355	319	910	250	22	3	12-Ø28	94
DN300	460	410	370	1030	270	24.5	4	12-Ø28	122
DN350	520	470	429	1170	290	26.5	4	16-Ø28	170
DN400	580	525	480	1300	310	28	4	16-Ø31	224
DN450	640	585	548	1430	330	30	4	20-Ø31	293
DN500	715	650	609	1560	350	31.5	4	20-Ø34	394
DN600	840	770	720	1830	390	36	5	20-Ø37	587

Note: The illustrations in this catalogue are subject to modifications without notice.

**MINGPIN** **MPM** **METALS**

No.69 Wangjiang West Road,Hefei,China  
sales@mingpinmetals.com

T: +86-551-64211984 F: +86-551-64211974  
www.mingpinmetals.com