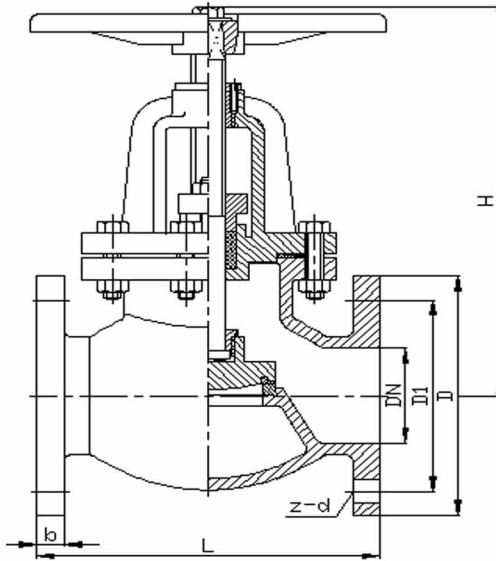


JIS10K GLOBE VALVE



Materials of Parts

Body	Ductile Iron
Bonnet	Ductile Iron
Disc	Ductile Iron
Body seats	Brass
Disc seats	Brass
Stem	Stainless Steel
Stem nut	Brass
Gasket	NBR
Packing	Graphite
Handwheel	Ductile Iron
Bolts & Nuts	SS304 / Carbon Steel with Zinc

Dimension:

							mm
Size	D	D1	H	L	b	z-d	Weight kg
DN15	95	70	200	108	14	4-Ø15	4.5
DN20	100	75	204	117	16	4-Ø15	5
DN25	125	90	209	127	16	4-Ø19	6.5
DN32	135	100	218	140	18	4-Ø19	9
DN40	140	105	239	165	18	4-Ø19	10
DN50	155	120	260	200	20	4-Ø19	16
DN65	175	140	286	220	20	4-Ø19	21
DN80	185	150	306	240	22	8-Ø19	26
DN100	210	175	331	290	24	8-Ø19	37
DN125	250	210	388	360	26	8-Ø23	52
DN150	280	240	414	410	26	8-Ø23	70
DN200	330	290	484	500	30	12-Ø23	148
DN250	400	355	533	620	32	12-Ø25	225
DN300	445	400	624	700	32	16-Ø25	325

Note: The illustrations in this catalogue are subject to modifications without notice.

MINGPIN  **METALS**

No.69 Wangjiang West Road,Hefei,China
sales@mingpinmetals.com

T: +86-551-64211984 F: +86-551-64211974
www.mingpinmetals.com