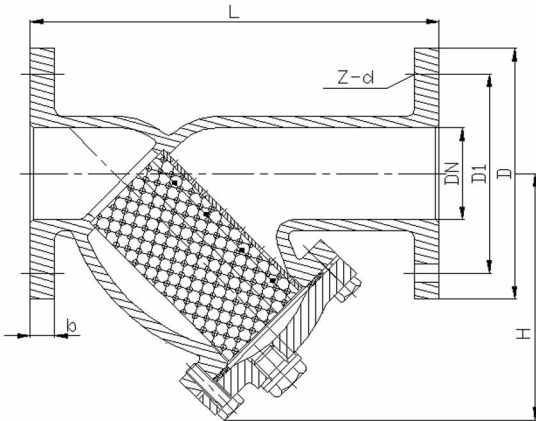


# ANSI Y-STRAINER



## Materials of Parts

<b>Body</b>	Ductile Iron to ASTM A536
<b>Cover</b>	Ductile Iron to ASTM A536
<b>Screen</b>	Stainless Steel to SS304
<b>Plug</b>	Carbon Steel
<b>Gasket</b>	Graphite
<b>Bolts &amp; Nuts</b>	SS304 / Carbon Steel with Zinc

## Dimension:

mm

Size	D	D1	H	L	b	z-d	Weight kg
DN15	89	60.5	93	130	12	4-Ø16	2.5
DN20	98	70	103	150	12	4-Ø16	4
DN25	108	79.5	114	160	12	4-Ø16	4.5
DN32	117	89	132	180	13	4-Ø16	7
DN40	127	98.5	152	200	15	4-Ø16	8
DN50	152	120.5	154	225	16	4-Ø19	11
DN65	178	139.5	173	273	17.5	4-Ø19	14
DN80	191	152.5	195	292	19	4-Ø19	19
DN100	229	190.5	225	352	24	8-Ø19	27
DN125	254	216	268	391	24	8-Ø22	40
DN150	279	241.5	328	470	25.5	8-Ø22	57
DN200	343	298.5	425	543	29	8-Ø22	103
DN250	406	362	497	660	30.5	12-Ø25	166
DN300	483	432	564	762	32	12-Ø25	190
DN350	533	476	636	949	35	12-Ø29	270
DN400	597	540	719	1079	37	16-Ø29	380
DN450	635	577.5	800	1200	39.7	16-Ø32	590

Note: The illustrations in this catalogue are subject to modifications without notice.

**MINGPIN** **MPM** **METALS**

No.69 Wangjiang West Road,Hefei,China  
sales@mingpinmetals.com

T: +86-551-64211984 F: +86-551-64211974  
www.mingpinmetals.com