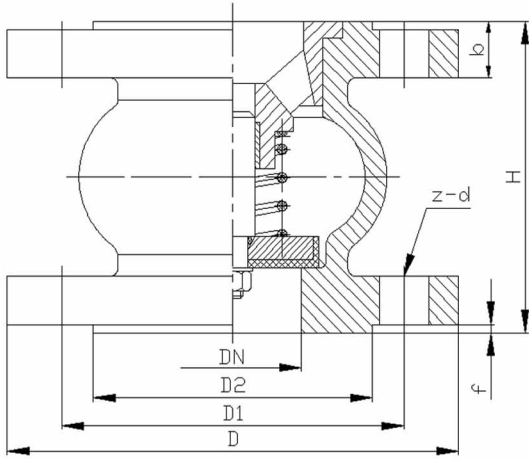


# VERTICAL CHECK VALVE



## Materials of Parts

<b>Body</b>	Ductile Iron to GGG50
<b>Bonnet</b>	Ductile Iron to GGG50
<b>Disc</b>	Ductile Iron to GGG50
<b>Disc seats</b>	NBR
<b>Spring</b>	Steel
<b>Bush</b>	Brass
<b>Gasket</b>	EPDM
<b>Bolts &amp; Nuts</b>	SS304 / Carbon Steel with Zinc

## Dimension: PN16

mm

Size	D	D1	D2	H	b	f	z-d	Weight kg
DN40	150	110	84	100	18	3	4-Ø19	4
DN50	165	125	99	100	20	3	4-Ø19	6
DN65	185	145	118	120	20	3	4-Ø19	8
DN80	200	160	132	140	22	3	8-Ø19	11
DN100	220	180	156	170	24	3	8-Ø19	15
DN125	250	210	184	200	26	3	8-Ø19	22
DN150	285	240	211	230	26	3	8-Ø23	32
DN200	340	295	266	300	30	3	12-Ø23	46
DN250	405	355	319	370	32	3	12-Ø28	70
DN300	460	410	370	410	32	4	12-Ø28	84

Note: The illustrations in this catalogue are subject to modifications without notice.

**MINGPIN**  **METALS**

No.69 Wangjiang West Road, Hefei, China  
sales@mingpinmetals.com

T: +86-551-64211984 F: +86-551-64211974  
www.mingpinmetals.com