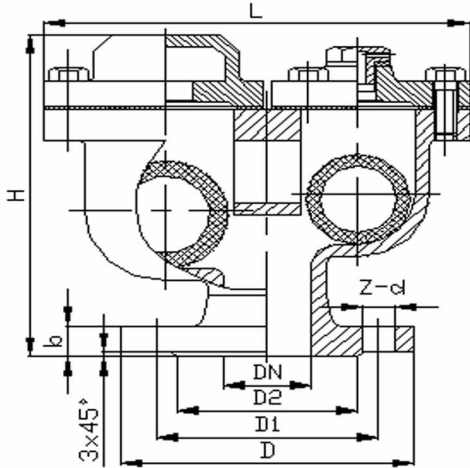


DOUBLE AIR VALVE



Materials of Parts

Body	Ductile Iron to BS2789 Gr. 500/7
Bonnet	Ductile Iron to BS2789 Gr. 500/7
Cover	Ductile Iron to BS2789 Gr. 500/7
Float ball	ABS
Gasket	NBR to BS2494
Bolts & Nuts	SS304 / Carbon Steel with Zinc

Dimension: PN16

mm

Size	D	D1	D2	H	L	b	z-d	Weight kg
DN50	165	125	102	382	240	20	4-Ø19	12
DN65	185	145	122	405	256	20	4-Ø19	13
DN80	200	160	138	454	305	22	8-Ø19	21
DN100	220	180	158	470	328	24	8-Ø19	25
DN150	285	240	212	520	392	26	8-Ø23	45

Note: The illustrations in this catalogue are subject to modifications without notice.

MINGPIN  **METALS**^R

No.69 Wangjiang West Road, Hefei, China
sales@mingpinmetals.com

T: +86-551-64211984 F: +86-551-64211974
www.mingpinmetals.com