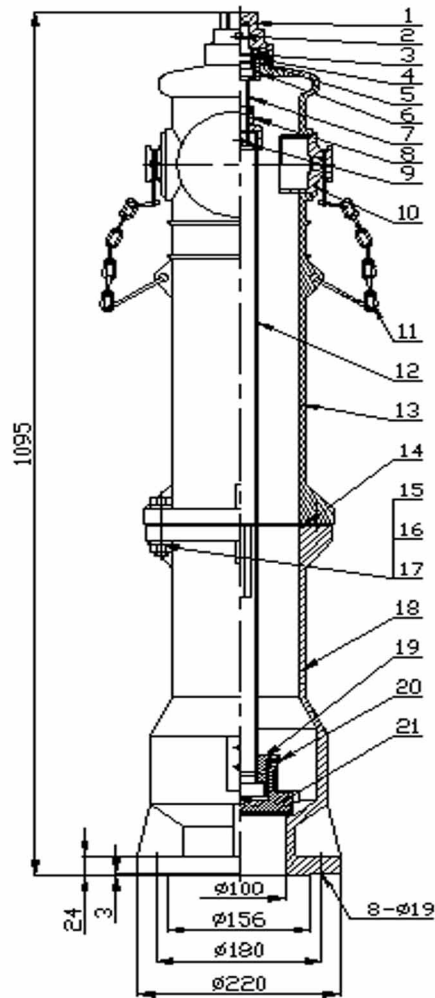


PILLAR HYDRANT



Materials of Parts

1	Cap	Ductile Iron to BS2789 Gr. 500/7
2	Dowel pin	Carbon Steel
3	Locking stem	Brass to BS2874
4	O-ring	NBR to BS2494
5	O-ring	NBR to BS2494
6	Bonnet nut	Brass to BS2874
7	Stem	Stainless Steel to BS970 Gr. SS420
8	Stem nut	Brass to BS2874
9	Dowel pin	Carbon Steel
10	Plug	Ductile Iron to BS2789 Gr. 500/7
11	Chain	Carbon Steel
12	Round tube	Carbon Steel
13	Top body	Ductile Iron to BS2789 Gr. 500/7
14	Gasket	TFL
15	Bolt	Carbon Steel
16	Nut	Carbon Steel
17	Washer	Carbon Steel
18	Lower body	Ductile Iron to BS2789 Gr. 500/7
19	Disc nut	Brass to BS2874
20	Copper washer	Brass to BS2874
21	Disc	Ductile Iron + EPDM

MINGPIN

No.69 Wangjiang West Road,Hefei,China
sales@mingpinmetals.com



^R

METALS

T: +86-551-64211984 F: +86-551-64211974
www.mingpinmetals.com