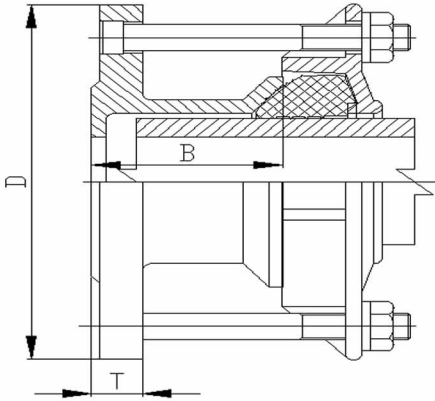


# UNIVERSAL FLANGE ADAPTOR



## Materials of Parts

<b>Sleeve</b>	Ductile Iron to BS2789 Gr. 500/7
<b>Flange</b>	Ductile Iron to BS2789 Gr. 500/7
<b>Gasket</b>	EPDM to BS2494
<b>Bolts</b>	SS304 / Carbon Steel with Zinc
<b>Nuts</b>	SS304 / Carbon Steel with Zinc

## Dimension: PN16

Size	Pipe O.D.	D	T	B	Hole No. x Size	P.C.D.	Studs		Weight kg
							No.	Dia. x Length	
DN40	48 - 58	150	18	67	4x19	110	2	M12x140	3.5
DN50	59 - 73	165	18	67	4x19	125	2	M12x140	4
DN65	72 - 85	185	18	67	4x19	145	2	M12x140	5
DN80	88 - 103	200	19	67	8x19	160	4	M12x140	5.3
DN100	108 - 128	220	19	67	8x19	180	4	M12x140	6.4
DN125	125 - 140	250	19	67	8x19	210	4	M12x140	7.1
DN125	132 - 154	250	19	67	8x19	210	4	M12x140	8.2
DN150	159 - 182	285	19	67	8x23	240	4	M12x140	9.2
DN150	176 - 188	285	19	67	8x23	240	4	M12x140	10
DN175	184 - 198	315	19	74.5	8x23	270	4	M12x150	11
DN175	192 - 209	315	19	74.5	8x23	270	4	M12x150	12
DN200	218 - 235	340	20	74.5	12x23	295	4	M12x150	13
DN225	242 - 262	370	20	89.5	12x23	325	4	M12x165	16
DN250	265 - 280	400	22	89.5	12x28	355	6	M12x165	18
DN250	271 - 289	400	22	89.5	12x28	355	6	M12x165	19.5
DN250	284 - 297	400	22	89.5	12x28	355	6	M12x165	21
DN300	315 - 331	455	24.5	89.5	12x28	410	6	M12x165	23
DN300	322 - 340	455	24.5	89.5	12x28	410	6	M12x165	25

Note: The illustrations in this catalogue are subject to modifications without notice.